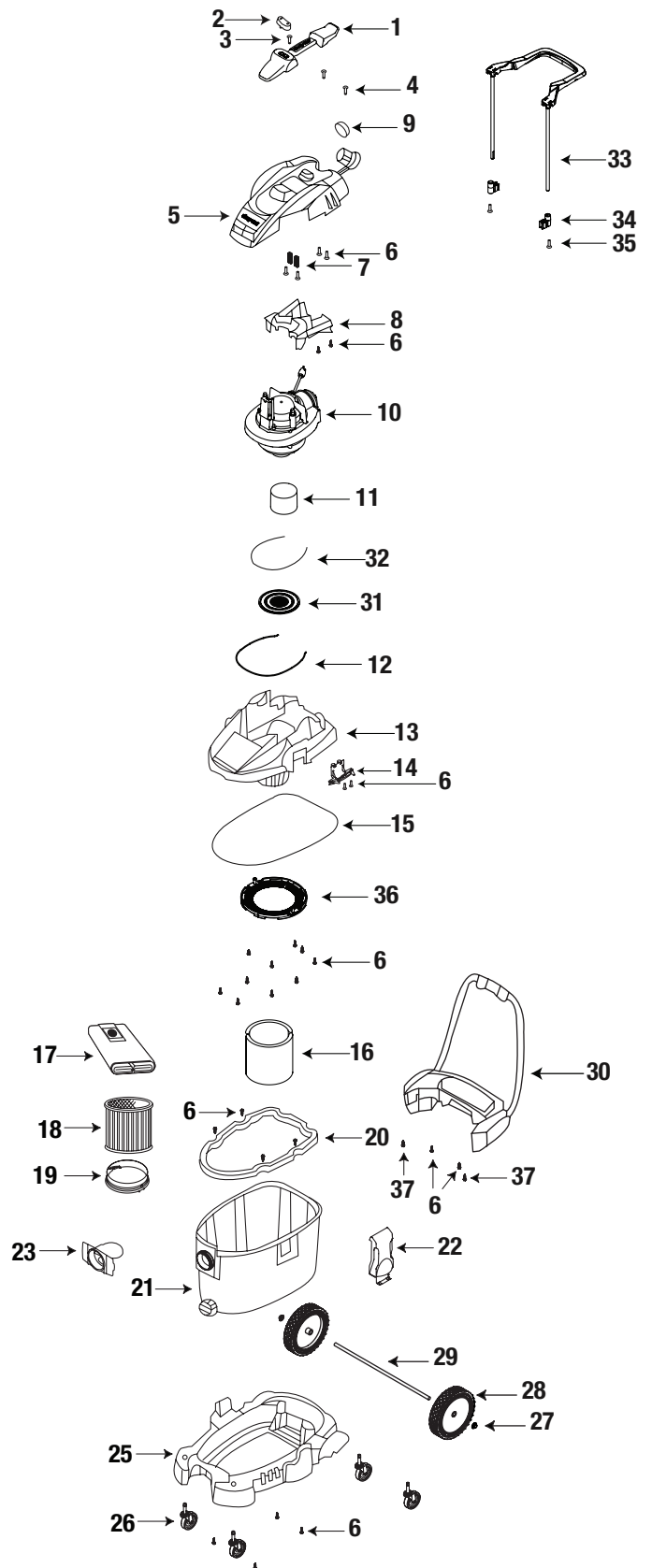


shop·vac®



ITEM	DESCRIPTION	PART NO.
1	Handle (Includes #2, 3 & 7)	7630897
2	Switch Rocker	8230421
3	Screw KA40 x 15MM	2783205
4	Screw #10 Trilobe	1517799
5	Motor Cover Assembly	1945618
6	Screw 10 x 3/4" Trilobe	1517699
7	Switch Button Extension	7414258
8	Under Cover	7630700
9	Diffuser Foam	7418300
10	Power Unit Assembly	8309097
11	Float	3545000
12	Gasket	2780430
13	Lid Cage Assembly (Includes # 14 & 15)	7632697
14	Lid Seal	7630350
15	Lid Gasket	2780441
16	Foam Sleeve	90585
17	HE Filter Bag	90673
18	Cartridge Filter	90307
19	Filter Retainer	3008000
20	Tank Support	3489790
21	Tank Assembly (Includes #20 & 22-23)	3489794
22	Tank Latch Assembly	7630193
23	Inlet Deflector	7413120
24	Dolly Assembly (Includes #25-29)	7630221
25	Dolly	7630200
26	Casters	6775200
27	Push Nut	4300299
28	Wheel	7631231
29	Axle (Includes 27)	2441097
30	Handle Mount Assembly	7631031
31	Grid Plate	8865705
32	Gasket	2072002
33	Filter Cleaner Handle (Includes 34-35)	7630637
34	Brush Retainer	7631510
35	Screw	0810999
36	Filter Cleaner Brush	7631547
37	Screw 8 x 5/8 Trilobe T20	1515899

\*Replacement parts may differ from original equipment.