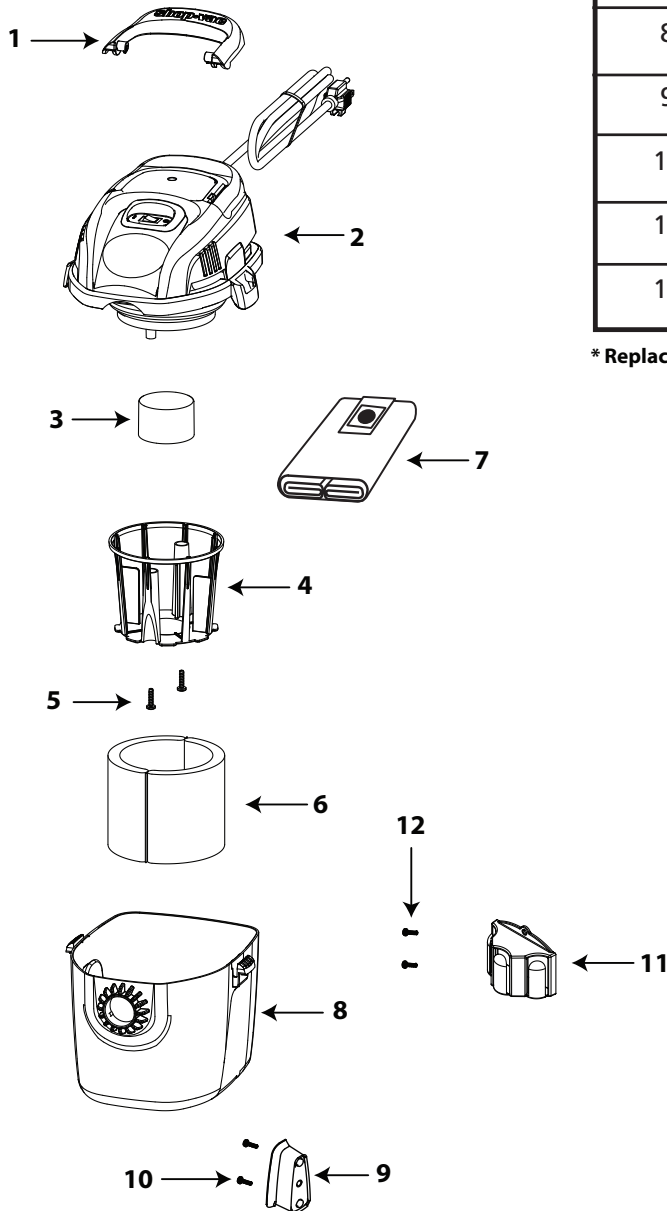


# MC Series

# Model MC150A



ITEM	DESCRIPTION	PART NO.
1	Handle	4513550
2	Power Unit Assembly	1944886
3	Float	4513600
4	Filter Cage	4513100
5	Screw 10 x 3/4 Trilobe, Twin Lead	1516599
6	Foam Sleeve	9052500
7	Disposable Filter Bag	90667
8	Tank Assembly	1944887
9	Wall Bracket	4510900
10	Screw #10 x 1 SLT Pan HD Type AB	1501199
11	Tool Holder	3159010
12	Screw 10 x 3/4 SL HX HD Wash AB	1503999

\* Replacement parts may differ from original equipment.