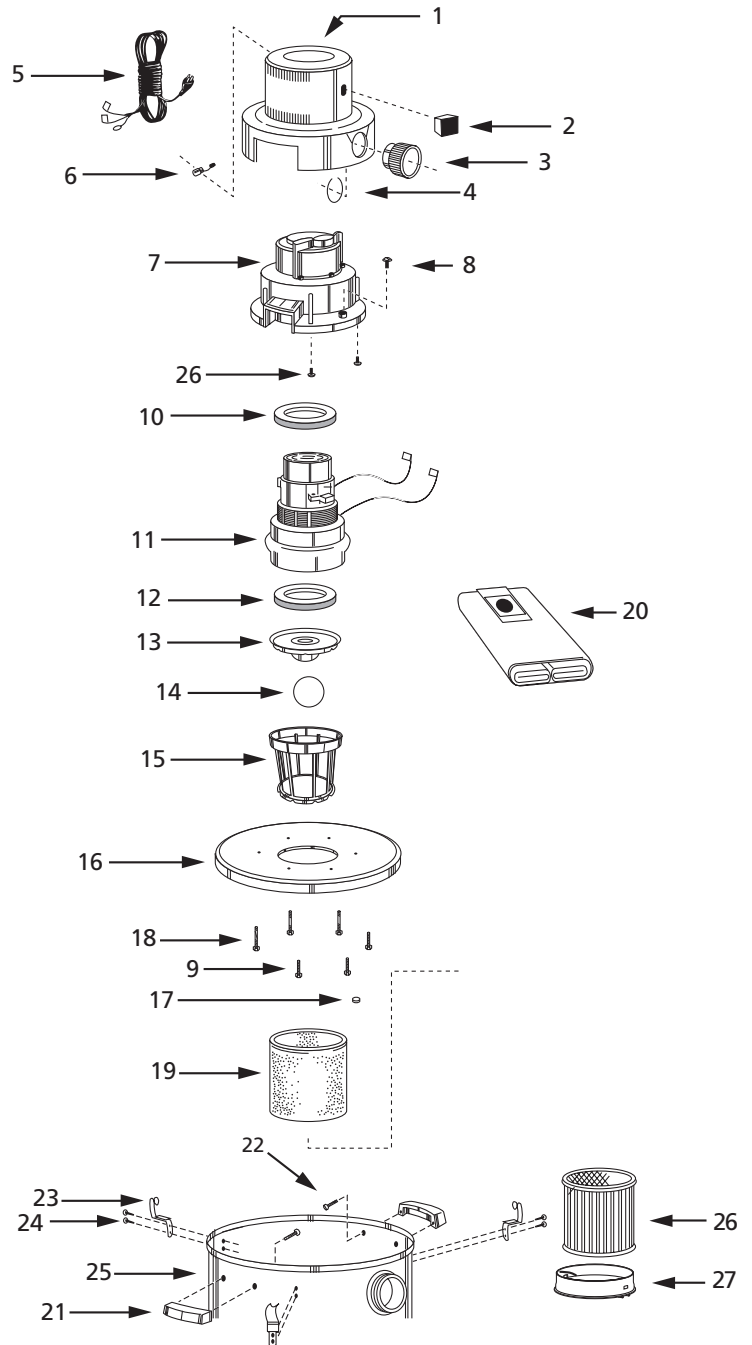


ITEM	DESCRIPTION	PART NO.
1	Motor cover	1945014
2	Switch	8231900
3	Exhaust fitting	8460000
4	Retaining ring	3600299
5	Power cord	4151700
6	Strain relief bushing	3400499
7	Motor housing	7211100
8	#10 - 24 x 5/8" Slotted hex head machine screw	0900699
9	#10 x 1" Slotted hex head machine screw	1508499
10	Upper motor gasket	2070000
11	Motor	1944251
12	Lower motor gasket	2071600
13	Grid plate	8860700
14	Ball float	0081100
15	Filter cage	8790100
16	Cover (10 gal.) (20 gal.)	8987511 8987711
17	Hex nut 10 - 24	1300999
18	#10 x 3" Slotted hex head machine screw	1505899
19	Foam sleeve	90585
20	High efficiency collection bag (10 gal.) (20 gal.)	9190610 9190710
21	Handle package (Includes 22)	9355196
22	#10 x 3/4" Slotted hex head machine screw	1503999
23	Tank clamp	0140300
24	Rivet	0300299
25	Tank assembly (10 gal. SS) (20 gal. SS)	1041297 1041497
26	Cartridge filter	9038010
27	Filter retainer	3008010



* Replacement parts may differ from original equipment.

ITEM	DESCRIPTION	PART NO.
1	Handle (14") (16")	2085502 2085503
2	Handle upright	2085601
3	Handle brace	2085701
4	¼ - 20 x 1¼" Hex head machine screw (Black)	0907499
5	¼" External tooth lockwasher	2301099
6	¼ - 20 Hex nut (Black)	1303599
7	Rear dolly frame (14") (16")	2083210 2083700
8	Main dolly frame (14") (16")	2083110 2083600
9	5/16 - 18 x 2½" Hex head bolt	0907399
10	5/16" - Split lockwasher	0200599
11	5/16 - 18 Hex nut	1300399
12	Tank retainer bracket	2085300
13	Threaded knob	2330100
14	Axle (14") (16")	2440600 2440700
15	¼ - 20 x 5/8" Hex head machine screw	0902899
16	¼ - 20 Hex nut	1300199
17	Caster socket	7540001
18	Caster	6775200
19	Bumper (14") (16")	8781001 8781101
20	10" Wheel (25.4cm)	2420500
21	Cap nut	4300299
22	Accessory basket	7442902
23	Basket Adapters	7442950

