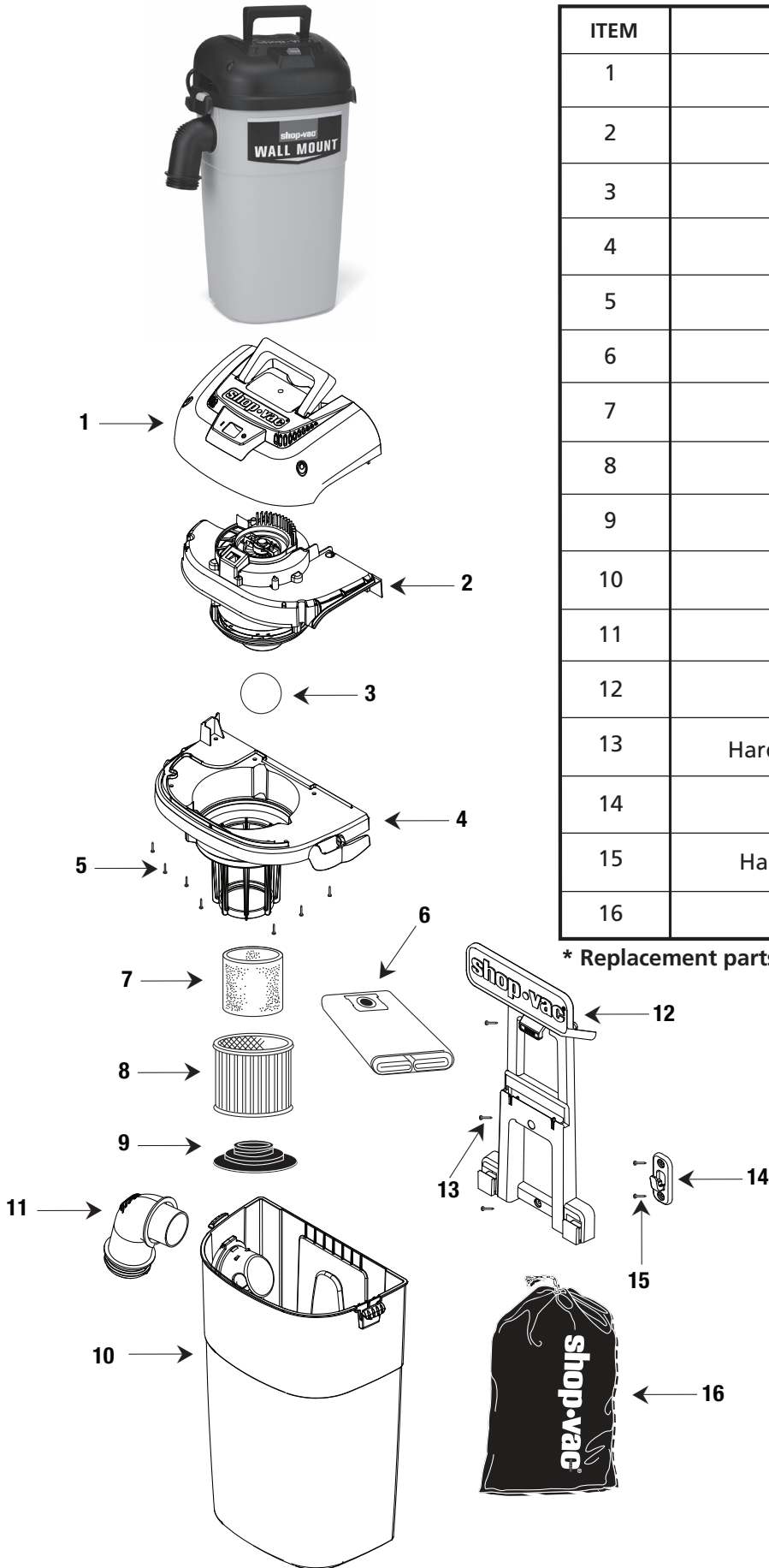


# 5HM Series

# Model 5HM400



ITEM	DESCRIPTION	PART NO.
1	Motor Cover Assembly	4036052
2	Power Unit Assembly	1944992
3	Ball Float	0081100
4	Lid Cage	4035310
5	Screw 10 x ¾" Trilobe	1517699
6	Disposable Filter Bag	91932
7	Foam Sleeve	90526
8	Cartridge Filter	90398
9	Filter Retainer	3183000
10	Tank Assembly	1944990
11	Tank Elbow	4390801
12	Wall Bracket	4035800
13	Hardware Package-Wall Bracket	4912496
14	Wall Hook	4035700
15	Hardware Package-Wall Hook	4200010
16	Tool Bag	0036000

\* Replacement parts may differ from original equipment.