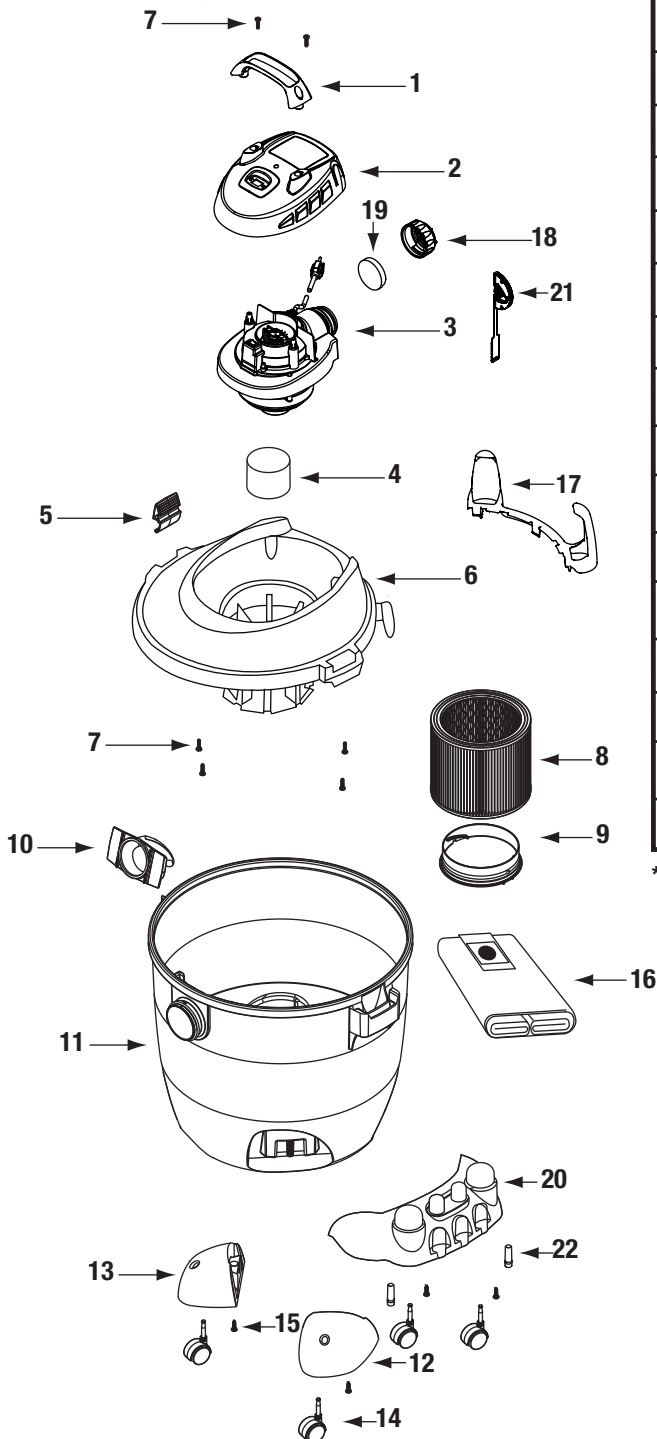


SM14 Series

Model SM14-400



ITEM	DESCRIPTION	PART NO.
1	Handle	3756151
2	Motor Cover	2433352
3	Power Unit Assembly	8300497
4	Float	3545000
5	Lid Latch	7444500
6	Lid Cage & Latch Assembly	3187170
7	Screw 10 x 3/4" Trilobe Twin Lead	1517699
8	Cartridge Filter	90304
9	Filter Retainer	3008000
10	Inlet Deflector	7413120
11	Tank Assembly	1944703
12	Caster Foot A	8568000
13	Caster Foot B	8568010
14	Caster	6774200
15	Screw 10 x 3/4" SL Hex Head	1503999
16	Disposable Filter Bag	90661
17	Hose Holder	3857800
18	Blower Port Diffuser	7419007
19	Foam Diffuser	1290530
20	Caster Dolly	7431031
21	Airflow Indicator	7419596
22	Retainer	8565500

* Replacement parts may differ from original equipment.